

Technical Design - Database Schematic

Version 1.0.0

Published 11 JUNE 2014

Approved

Table of Contents

[Technical Design - Database Schematic](#)

[Table of Contents](#)

[Overview](#)

[account](#)

[account_activity](#)

[account_lkup](#)

[account_attach](#)

[account_search](#)

[app](#)

[app_activity](#)

[app_lkup](#)

[app_attach](#)

[app_attach_activity](#)

[app_attach_lkup](#)

[app_attach_tmpl](#)

[context_suggest](#)

[sale](#)

[sale_activity](#)

[sale_lkup](#)

[sale_attach](#)

[sale_attach_activity](#)

[sale_attach_lkup](#)

[sale_attach_tmpl](#)

[vehicle](#)

[vehicle_activity](#)

[vehicle_lkup](#)

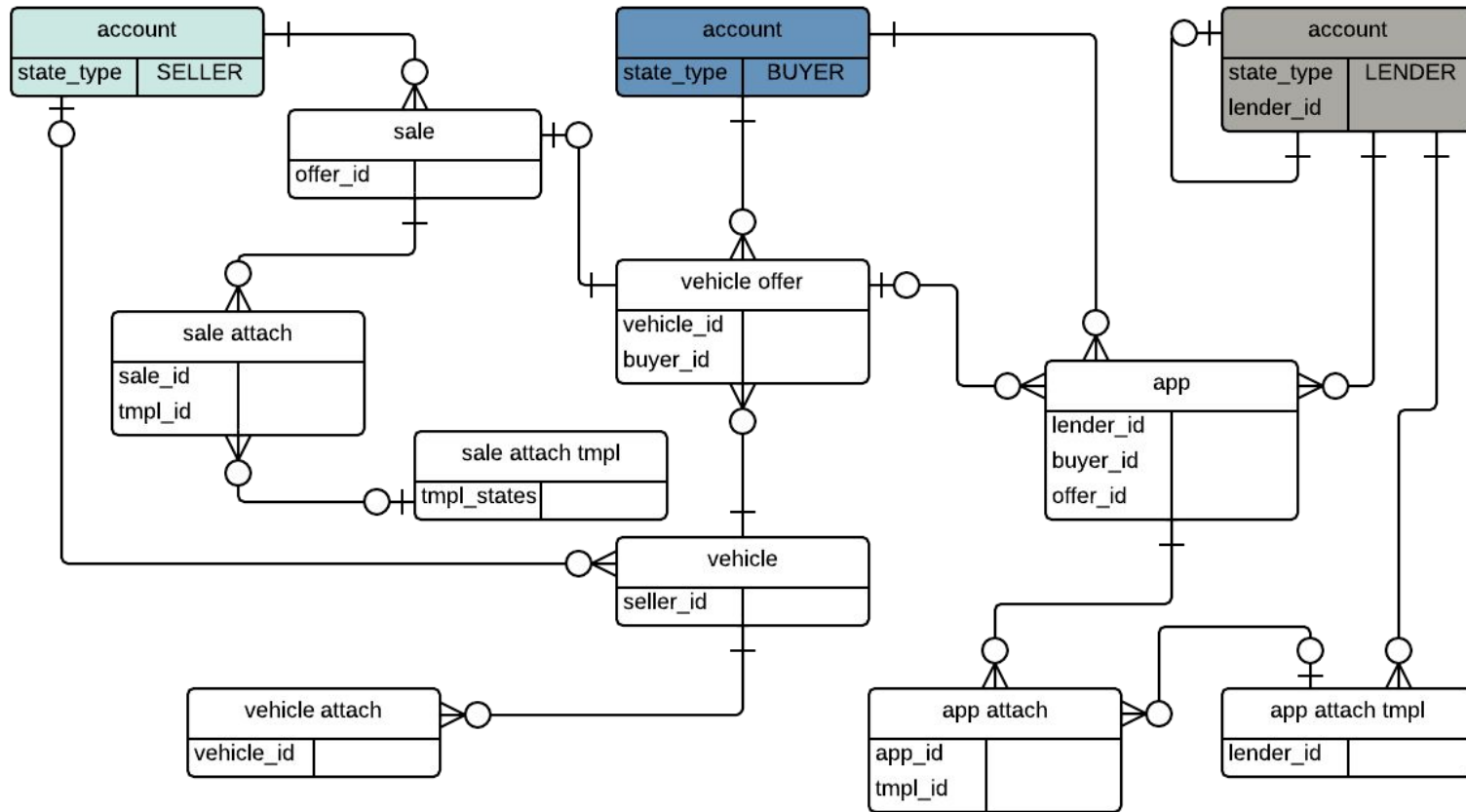
[vehicle_attach](#)

[vehicle_attach_activity](#)

[vehicle_attach_ikup](#)
[vehicle_offer](#)
[vehicle_offer_ikup](#)
[vehicle_trim_rel](#)
[notification](#)
[notification_ikup](#)
[met_make_ikup](#)
[met_model_ikup](#)
[met_trim_ikup](#)
[met_st_ikup](#)
[met_zip_ikup](#)
[met_config](#)
[met_error](#)
[sys_log](#)
[Database Views](#)

Overview

This document defines the relational database schematic that will persist the CarsYours.com Web Application version 1.0.0.



Entity Relationship Diagram 1

account

Column	Type / Length	Nullable	Default	Description																								
id	int			Primary Key / Auton																								
sid	varchar 68	y		4cc Checksum																								
lender_id	int	y		account > ID or Null (self ref)																								
created_by	int	y		account > ID or Null																								
created_at	datetime	y		audit: eloquent ORM																								
updated_by	int	y		account > ID or Null																								
updated_at	datetime	y		audit: eloquent ORM (also populated upon INSERT)																								
state_type	varchar 32		BUYER	<table border="1"> <thead> <tr> <th>Type</th> <th>Description</th> <th>Role</th> </tr> </thead> <tbody> <tr> <td>BUYER</td> <td>Member who intends to buy a vehicle</td> <td>MEMBER</td> </tr> <tr> <td>SELLER</td> <td>Member who intends to sell a vehicle</td> <td>MEMBER</td> </tr> <tr> <td>BUYER_SELLER</td> <td>Member who intends to buy and sell a vehicle</td> <td>MEMBER</td> </tr> <tr> <td>LENDER</td> <td>Loan Officer / Portfolio Manager</td> <td>LENDER</td> </tr> <tr> <td>AUTO_TECH</td> <td>Auto Technician</td> <td>AUTO_TECH</td> </tr> <tr> <td>SERVICE_REP</td> <td>Customer Service</td> <td>ADMIN</td> </tr> <tr> <td>ADMIN</td> <td>System Administration</td> <td>ADMIN</td> </tr> </tbody> </table>	Type	Description	Role	BUYER	Member who intends to buy a vehicle	MEMBER	SELLER	Member who intends to sell a vehicle	MEMBER	BUYER_SELLER	Member who intends to buy and sell a vehicle	MEMBER	LENDER	Loan Officer / Portfolio Manager	LENDER	AUTO_TECH	Auto Technician	AUTO_TECH	SERVICE_REP	Customer Service	ADMIN	ADMIN	System Administration	ADMIN
Type	Description	Role																										
BUYER	Member who intends to buy a vehicle	MEMBER																										
SELLER	Member who intends to sell a vehicle	MEMBER																										
BUYER_SELLER	Member who intends to buy and sell a vehicle	MEMBER																										
LENDER	Loan Officer / Portfolio Manager	LENDER																										
AUTO_TECH	Auto Technician	AUTO_TECH																										
SERVICE_REP	Customer Service	ADMIN																										
ADMIN	System Administration	ADMIN																										
state_stage	varchar 32		INACTIVE																									

				Stage	Description
				INACTIVE	Has not logged in - UID token in query string has not been Activated (or 6 failed Sign In attempts)
				ACTIVE	Has logged in - UID token in query string has been Activated
				PROFILED	Has a valid profile (check zip)
member_tier	varchar 32		1_SILVER	Membership Tier	
				Tier	Description
				1_SILVER	Silver Membership FREE
				2_GOLD	Gold Membership
				3_PLATINUM	Platinum Membership
email	varchar 96			Unique : Email Address (confirm double entry)	
email_lnk_tmp	varchar 96			Unique Above : Change Email Verification Link	
geocode	varchar 176			SHA-2 60cc Hash + 4cc Checksum (confirm double entry)	
geocode_lnk_tmp	varchar 176	y		SHA-2 60cc Hash + 4cc Checksum (I forgot logic - see also: passw_expiry_now)	
geocode_lnk_tmp_at	datetime	y		Geocode Turnaround Expiry - 1 hour	
passw_hint	varchar 176	y		Verbose hint - Must not equal password - displayed after 2 failed Sign In (with invalid passw) attempts	
passw_expiry_days	int	y	-1	optional strong compliance behavior (lender)	
passw_expiry_now_ind	varchar 1	y	0	Force the creation of new pw upon next Sign In	

sign_in_attempts	int	y	0	Invalid Sign In Attempts Since Last Login																
locked_at	datetime	y		Time that Account was locked out																
challenge_q_1	varchar 32		NONE	<table border="1"> <thead> <tr> <th>Question</th> <th>Description</th> </tr> </thead> <tbody> <tr> <td>CQ1_MAIDEN</td> <td>What is your mother's maiden name?</td> </tr> <tr> <td>CQ1_PET</td> <td>What is your pet's name?</td> </tr> <tr> <td>CQ1_BORN</td> <td>In what city were you born?</td> </tr> <tr> <td>CQ1_JOB</td> <td>In what city was your first job?</td> </tr> <tr> <td>CQ1_FRIEND</td> <td>What is the name of your favorite childhood friend?</td> </tr> <tr> <td>CQ1_SPOUSE</td> <td>In what city did you meet your significant other?</td> </tr> <tr> <td>CQ1_NICKNAME</td> <td>What was your childhood nickname?</td> </tr> </tbody> </table>	Question	Description	CQ1_MAIDEN	What is your mother's maiden name?	CQ1_PET	What is your pet's name?	CQ1_BORN	In what city were you born?	CQ1_JOB	In what city was your first job?	CQ1_FRIEND	What is the name of your favorite childhood friend?	CQ1_SPOUSE	In what city did you meet your significant other?	CQ1_NICKNAME	What was your childhood nickname?
Question	Description																			
CQ1_MAIDEN	What is your mother's maiden name?																			
CQ1_PET	What is your pet's name?																			
CQ1_BORN	In what city were you born?																			
CQ1_JOB	In what city was your first job?																			
CQ1_FRIEND	What is the name of your favorite childhood friend?																			
CQ1_SPOUSE	In what city did you meet your significant other?																			
CQ1_NICKNAME	What was your childhood nickname?																			
challenge_a_1	varchar 64			Answer - Required - Must not equal password																
google_id	decimal(21, 0)	y		Unique : Google Authentication value																
first_nm	varchar 128			First Name																
middle_nm	varchar 128	y		Middle Name																
last_nm	varchar 128			Last Name																
phone_home	varchar 32	y		Home Phone Number																
phone_mobile	varchar 32	y		Mobile Phone Number																
phone_sms_verified	varchar 32	y		Number verified via turnaround																

street_1	varchar 176	y		Address
street_2	varchar 176	y		Address line 2
city	varchar 176	y		City
state_province	varchar 2	y		State / Province
zip	varchar 10			Zip / Postal Code (met_zip_lkup)
county_nm	varchar 176	y		County Name
profile_avatar	varchar 176	y	image	file name avatar_[rand 1 - 10].png - h:96 x w:96
profile_desc	varchar 176	y		User provided Caption
carsyours_trust_score	int	y	0	CarsYours.com Trust Score
profile_rep	int	y	0	Reputation - Scale 0 to 5 Stars
profile_nps	int	y	5	Net Promoter Score - Scale 0 to 10
profile_badge_1	varchar 1	y	0	Pre-approved - Loan application is pre-approved - Should NOT display a dollar amount
profile_badge_2	varchar 1	y	0	Certified Vehicle - Has Certified a Vehicle
profile_badge_3	varchar 1	y	0	Trusted - A CarsYours.com TRUST score of 50 or greater
profile_badge_4	varchar 1	y	0	Invites - Has invited 10 or more new Members
profile_badge_5	varchar 1	y	0	not used
profile_badge_6	varchar 1	y	0	not used
lender_appr_level	int	y	0	Approval Tier - 0 to 3 (lender_id required)
api_access_ind	varchar 1	y	0	Access to API
audit_last_sign_in_at	datetime	y		Time of last Sign In

udf1	varchar 32	y		User Defined 1
udf2	varchar 64	y		User Defined 2
comment	varchar 176	y		Admin Comment
state_status	varchar 32		ENABLED	ENABLED, DISABLED or ARCHIVED

account_activity

Column	Type / Length	Nullable	Default	Description
id	int			Primary Key / Auton
parent_id	int			Foreign Key: parent > ID
created_at	datetime			audit: eloquent ORM
updated_at	datetime	y		audit: eloquent ORM (also populated upon INSERT)
state_stage	varchar 32			Stage Changed to

account_lkup

Column	Type / Length	Nullable	Default	Description
--------	---------------	----------	---------	-------------

id	int			Primary Key / Auton
column_nm	varchar 64		state_stage	Column Name
lookup_code	varchar 32			Code - Uppercase
lookup_desc	varchar 176	y		Description
lookup_value	int	y		Value

account_attach

Column	Type / Length	Nullable	Default	Description				
id	int			Primary Key / Auton				
sid	varchar 68			4cc Checksum				
account_id	int			Foreign Key: account> ID				
created_by	int			account > ID				
created_at	datetime			audit: eloquent ORM				
updated_by	int	y		account > ID or Null				
updated_at	datetime	y		audit: eloquent ORM				
state_type	varchar 32		PHOTO_DRV_LIC	<table border="1"> <thead> <tr> <th>Type</th> <th>Description</th> </tr> </thead> <tbody> <tr> <td>PHOTO_DRV_LIC</td> <td>Photo of Driver License</td> </tr> </tbody> </table>	Type	Description	PHOTO_DRV_LIC	Photo of Driver License
Type	Description							
PHOTO_DRV_LIC	Photo of Driver License							

state_stage	varchar 32		SUBMITTED	<table border="1"> <thead> <tr> <th>Stage</th> <th>Description</th> </tr> </thead> <tbody> <tr> <td>SUBMITTED</td> <td>Asset is awaiting review</td> </tr> <tr> <td>REJECTED</td> <td>Asset has been determined invalid</td> </tr> <tr> <td>APPROVED</td> <td>Asset is valid</td> </tr> </tbody> </table>		Stage	Description	SUBMITTED	Asset is awaiting review	REJECTED	Asset has been determined invalid	APPROVED	Asset is valid
				Stage	Description								
				SUBMITTED	Asset is awaiting review								
				REJECTED	Asset has been determined invalid								
APPROVED	Asset is valid												
attachment_nm	varchar 64			Name of the attached file									
comment	varchar 176	y		Admin Comment									
state_status	varchar 32		ENABLED	ENABLED, DISABLED or ARCHIVED									

account_search

Column	Type / Length	Nullable	Default	Description
id	int			Primary Key / Auton
account_id	int			Foreign Key: account > ID
where_clause	varchar 224	y		SQL Syntax had from eloquent
comment	varchar 176	y		Admin Comment
state_status	varchar 32		ENABLED	ENABLED, DISABLED or ARCHIVED

app

Column	Type / Length	Nullable	Default	Description								
id	int			Primary Key / Auton								
sid	varchar 68			4cc Checksum								
lender_id	int			Foreign Key: account > ID								
buyer_id	int			Foreign Key: account > ID								
vehicle_id	int	y		Foreign Key: Vehicle > ID								
created_by	int			account > ID or Null								
created_at	datetime			audit: eloquent ORM								
updated_by	int	y		account > ID or Null								
updated_at	datetime	y		audit: eloquent ORM								
state_type	varchar 32		PRE_APPROVE	<table border="1"> <thead> <tr> <th>Type</th> <th>Description</th> </tr> </thead> <tbody> <tr> <td>PRE_APPROVE</td> <td>Pre-Qualify without a known Vehicle</td> </tr> <tr> <td>APPLICATION</td> <td>Application with a known Vehicle</td> </tr> <tr> <td>REFINANCE</td> <td>Replacement of an existing debt obligation</td> </tr> </tbody> </table>	Type	Description	PRE_APPROVE	Pre-Qualify without a known Vehicle	APPLICATION	Application with a known Vehicle	REFINANCE	Replacement of an existing debt obligation
Type	Description											
PRE_APPROVE	Pre-Qualify without a known Vehicle											
APPLICATION	Application with a known Vehicle											
REFINANCE	Replacement of an existing debt obligation											
state_stage	varchar 32		NEW	<table border="1"> <thead> <tr> <th>Stage</th> <th>Description</th> </tr> </thead> <tbody> </tbody> </table>	Stage	Description						
Stage	Description											

				NEW	Mandatory Fields have NOT been populated
				COMPLETE	Mandatory Fields have been populated
				DOWNLOADED	All documents have been downloaded as an archive of PDF documents
				UPLOADED	Scanned documents have been uploaded if required
				E_SIGNED	Electronic Signature
				LABELED	Mailing Label Generated
				SUBMITTED	Buyer commits package
				AWAITING	Awaiting clarification from Member
				INVENTORIED	Document management
				APPROVED1	Awaiting Approval by Lender1
				APPROVED2	Awaiting Approval by Lender2 (optional)
				APPROVED3	Awaiting Approval by Lender3 (optional) (Loan Portfolio Mgr.)
				PRE-APPROVED	Pre-Approved
				APPROVED-PRE-FINAL	Loan approved by Lender's automated system, but not yet approved by loan officer
				APPROVED	Final
				WITHDRAWN	Final Commit by Member (one loan per Vehicle)
				REJECTED	Package Rejected
				IN_ESCROW	Funds in Escrow
				PAID	Funds transferred to Seller

current_page	int		0	Current Page of the NEW Application form
loan_applicants	varchar 16		APPLICANT	APPLICANT, COAPPLICANT
<i>Applicant</i>				<i>Identity Information</i>
a_first_nm	varchar 128			First Name (init from account)
a_middle_nm	varchar 128	y		Middle Name (init from account)
a_last_nm	varchar 128			Last Name (init from account)
a_suffix	varchar 4	y		None, SR.,JR.,II,III,IV,V
a_phone_home	varchar 32			Home Phone Number (init from account) (conditionally required)
a_phone_mobile	varchar 32	y		Mobile Phone Number (init from account) (conditionally required)
a_phone_prefered	varchar 8		HOME	HOME, MOBILE
a_citizen	varchar 24			US_CITIZEN, PERM_RES_ALIEN, NON_PERM_RES_ALIEN, CANADIAN
a_drive_lic_num	varchar 32	y		Driver Licence Number
a_ssn	varchar 12			Social Security Number (Why we ask for this notice)
a_sin	varchar 32	y		Canadian SIN
a_dob	datetime			Date of Birth
<i>Applicant</i>				<i>Residency Information</i>
a_street_1	varchar 176			Address (init from account)
a_street_2	varchar 176	y		Address line 2 (init from account)
a_city	varchar 176			City (init from account)

a_state_province	varchar 2			State / Province (init from account)
a_zip	varchar 10			Zip / Postal Code (met_zip_lkup) (init from account)
a_residence	varchar 16			OWN, RENT, OTHER
a_monthly_payment	decimal (19,4)		0	Mortgage / Rent
a_lived_at_years	int			Years at this address
a_lived_at_months	int			Months at this address
<i>Applicant- Previous</i>				<i>Residency Information (if less than 2 yrs)</i>
ap_street_1	varchar 176	y		Address (conditionally required)
ap_street_2	varchar 176	y		Address line 2
ap_city	varchar 176	y		City
ap_state_province	varchar 2	y		State / Province
ap_zip	varchar 10	y		Zip / Postal Code (met_zip_lkup)
<i>CoApplicant</i>				<i>Identity Information</i>
c_first_nm	varchar 128	y		First Name
c_middle_nm	varchar 128	y		Middle Name
c_last_nm	varchar 128	y		Last Name
c_suffix	varchar 4	y		None, SR.,JR.,II,III,IV,V
c_phone_home	varchar 32	y		Home Phone Number (conditionally required)
c_phone_mobile	varchar 32	y		Mobile Phone Number (conditionally required)
c_phone_prefered	varchar 8	y	HOME	HOME, MOBILE

c_citizen	varchar 24	y		US_CITIZEN, PERM_RES_ALIEN, NON_PERM_RES_ALIEN
c_drive_lic_num	varchar 32	y		Driver Licence Number
c_ssn	varchar 12	y		Social Security Number (Why we ask for this notice)
c_sin	varchar 32	y		Canadian SIN
c_dob	datetime	y		Date of Birth
<i>CoApplicant</i>				<i>Residency Information</i>
				<i>Does coapplicant live at the applicant's current address</i>
c_street_1	varchar 176	y		Address
c_street_2	varchar 176	y		Address line 2
c_city	varchar 176	y		City
c_state_province	varchar 2	y		State / Province
c_zip	varchar 10	y		Zip / Postal Code (met_zip_lkup)
c_residence	varchar 16	y		OWN, RENT, OTHER
c_monthly_payment	decimal (19,4)	y	0	Mortgage / Rent
c_lived_at_years	int	y		Years at this address
c_lived_at_months	int	y		Months at this address
<i>CoApplicant Previous</i>				<i>Residency Information (if less than 2 yrs)</i>
cp_street_1	varchar 176	y		Address (conditionally required)
cp_street_2	varchar 176	y		Address line 2
cp_city	varchar 176	y		City

cp_state_province	varchar 2	y		State / Province
cp_zip	varchar 10	y		Zip / Postal Code (met_zip_lkup)
<i>Applicant</i>				<i>Employment Information</i>
a_empl_status	varchar 32			EMPLOYED, SELF_EMPL, RETIRED, STUDENT, OTHER
a_empl_status_years	int		0	Years in this employment status
a_empl_status_months	int		0	Months in this employment status
a_empl_nm	varchar 64	y		Employer Name
a_empl_position	varchar 64	y		Position / Title
a_empl_phone	varchar 32	y		Employer Phone
a_empl_city	varchar 176	y		Employer City
a_empl_state_province	varchar 2	y		State / Province
a_empl_zip	varchar 10	y		Zip / Postal Code (met_zip_lkup)
a_empl_gross	decimal (19,4)			Gross Annual Income
<i>Applicant Previous</i>				<i>Employment Information (if less than two years)</i>
ap_empl_status	varchar 32	y		EMPLOYED, SELF_EMPL, RETIRED, STUDENT, OTHER
ap_empl_status_years	int	y	0	Years in this employment status
ap_empl_status_months	int	y	0	Months in this employment status
ap_empl_nm	varchar 64	y		Employer Name
ap_empl_position	varchar 64	y		Position / Title
<i>Applicant</i>				<i>Additional Income (progressive disclosure)</i>

a_other_inc_source_1	varchar 32	y	NONE	<table border="1"> <thead> <tr> <th>Source</th> <th>Description</th> </tr> </thead> <tbody> <tr> <td>ALIMONY</td> <td>Alimony</td> </tr> <tr> <td>BONUS</td> <td>Bonus</td> </tr> <tr> <td>CHILD_SUPPORT</td> <td>Child Support</td> </tr> <tr> <td>COMMISSION</td> <td>Commission</td> </tr> <tr> <td>DISABILITY_COMP</td> <td>Disability or Workers Compensation</td> </tr> <tr> <td>DIVIDEND_INT</td> <td>Dividend Interest</td> </tr> <tr> <td>FOSTER_CARE</td> <td>Foster Care</td> </tr> <tr> <td>HOUSING_ALLOWANCE</td> <td>Housing Allowance</td> </tr> <tr> <td>INHERITANCE</td> <td>Inheritance</td> </tr> <tr> <td>MILITARY_ALLOWANCE</td> <td>Military Basic Allowance for Subsistence (BAS)</td> </tr> <tr> <td>MUNICIPAL_BOND_INT</td> <td>Municipal Bond Interest</td> </tr> <tr> <td>OVER_TIME</td> <td>Overtime</td> </tr> <tr> <td>PART_TIME</td> <td>Part Time</td> </tr> <tr> <td>PUBLIC_ASSISTANCE</td> <td>Public Assistance or Aid for Dependent Children</td> </tr> <tr> <td>RENTAL</td> <td>Rental</td> </tr> <tr> <td>RETIREMENT</td> <td>Retirement</td> </tr> <tr> <td>SALARY_WAGES</td> <td>Salary/Wages</td> </tr> <tr> <td>SOCIAL_SECURITY</td> <td>Social Security Benefits</td> </tr> </tbody> </table>	Source	Description	ALIMONY	Alimony	BONUS	Bonus	CHILD_SUPPORT	Child Support	COMMISSION	Commission	DISABILITY_COMP	Disability or Workers Compensation	DIVIDEND_INT	Dividend Interest	FOSTER_CARE	Foster Care	HOUSING_ALLOWANCE	Housing Allowance	INHERITANCE	Inheritance	MILITARY_ALLOWANCE	Military Basic Allowance for Subsistence (BAS)	MUNICIPAL_BOND_INT	Municipal Bond Interest	OVER_TIME	Overtime	PART_TIME	Part Time	PUBLIC_ASSISTANCE	Public Assistance or Aid for Dependent Children	RENTAL	Rental	RETIREMENT	Retirement	SALARY_WAGES	Salary/Wages	SOCIAL_SECURITY	Social Security Benefits
Source	Description																																									
ALIMONY	Alimony																																									
BONUS	Bonus																																									
CHILD_SUPPORT	Child Support																																									
COMMISSION	Commission																																									
DISABILITY_COMP	Disability or Workers Compensation																																									
DIVIDEND_INT	Dividend Interest																																									
FOSTER_CARE	Foster Care																																									
HOUSING_ALLOWANCE	Housing Allowance																																									
INHERITANCE	Inheritance																																									
MILITARY_ALLOWANCE	Military Basic Allowance for Subsistence (BAS)																																									
MUNICIPAL_BOND_INT	Municipal Bond Interest																																									
OVER_TIME	Overtime																																									
PART_TIME	Part Time																																									
PUBLIC_ASSISTANCE	Public Assistance or Aid for Dependent Children																																									
RENTAL	Rental																																									
RETIREMENT	Retirement																																									
SALARY_WAGES	Salary/Wages																																									
SOCIAL_SECURITY	Social Security Benefits																																									

				<table border="1"> <tr> <td>UNEMPLOYMENT</td> <td>Unemployment</td> </tr> <tr> <td>VA_BENEFITS</td> <td>VA Benefits or VA Disability</td> </tr> <tr> <td>OTHER_TAX</td> <td>Other (Taxable)</td> </tr> <tr> <td>OTHER_NONTAX</td> <td>Other (Nontaxable)</td> </tr> </table>	UNEMPLOYMENT	Unemployment	VA_BENEFITS	VA Benefits or VA Disability	OTHER_TAX	Other (Taxable)	OTHER_NONTAX	Other (Nontaxable)																		
UNEMPLOYMENT	Unemployment																													
VA_BENEFITS	VA Benefits or VA Disability																													
OTHER_TAX	Other (Taxable)																													
OTHER_NONTAX	Other (Nontaxable)																													
a_other_inc_amount_1	decimal (19,4)	y		Other Annual Income (1) Amount																										
a_other_inc_source_2	varchar 32	y	NONE	<table border="1"> <thead> <tr> <th>Source</th> <th>Description</th> </tr> </thead> <tbody> <tr> <td>ALIMONY</td> <td>Alimony</td> </tr> <tr> <td>BONUS</td> <td>Bonus</td> </tr> <tr> <td>CHILD_SUPPORT</td> <td>Child Support</td> </tr> <tr> <td>COMMISSION</td> <td>Commission</td> </tr> <tr> <td>DISABILITY_COMP</td> <td>Disability or Workers Compensation</td> </tr> <tr> <td>DIVIDEND_INT</td> <td>Dividend Interest</td> </tr> <tr> <td>FOSTER_CARE</td> <td>Foster Care</td> </tr> <tr> <td>HOUSING_ALLOWANCE</td> <td>Housing Allowance</td> </tr> <tr> <td>INHERITANCE</td> <td>Inheritance</td> </tr> <tr> <td>MILITARY_ALLOWANCE</td> <td>Military Basic Allowance for Subsistence (BAS)</td> </tr> <tr> <td>MUNICIPAL_BOND_INT</td> <td>Municipal Bond Interest</td> </tr> <tr> <td>OVER_TIME</td> <td>Overtime</td> </tr> </tbody> </table>	Source	Description	ALIMONY	Alimony	BONUS	Bonus	CHILD_SUPPORT	Child Support	COMMISSION	Commission	DISABILITY_COMP	Disability or Workers Compensation	DIVIDEND_INT	Dividend Interest	FOSTER_CARE	Foster Care	HOUSING_ALLOWANCE	Housing Allowance	INHERITANCE	Inheritance	MILITARY_ALLOWANCE	Military Basic Allowance for Subsistence (BAS)	MUNICIPAL_BOND_INT	Municipal Bond Interest	OVER_TIME	Overtime
Source	Description																													
ALIMONY	Alimony																													
BONUS	Bonus																													
CHILD_SUPPORT	Child Support																													
COMMISSION	Commission																													
DISABILITY_COMP	Disability or Workers Compensation																													
DIVIDEND_INT	Dividend Interest																													
FOSTER_CARE	Foster Care																													
HOUSING_ALLOWANCE	Housing Allowance																													
INHERITANCE	Inheritance																													
MILITARY_ALLOWANCE	Military Basic Allowance for Subsistence (BAS)																													
MUNICIPAL_BOND_INT	Municipal Bond Interest																													
OVER_TIME	Overtime																													

				<table border="1"> <tr> <td>PART_TIME</td> <td>Part Time</td> </tr> <tr> <td>PUBLIC_ASSISTANCE</td> <td>Public Assistance or Aid for Dependent Children</td> </tr> <tr> <td>RENTAL</td> <td>Rental</td> </tr> <tr> <td>RETIREMENT</td> <td>Retirement</td> </tr> <tr> <td>SALARY_WAGES</td> <td>Salary/Wages</td> </tr> <tr> <td>SOCIAL_SECURITY</td> <td>Social Security Benefits</td> </tr> <tr> <td>UNEMPLOYMENT</td> <td>Unemployment</td> </tr> <tr> <td>VA_BENEFITS</td> <td>VA Benefits or VA Disability</td> </tr> <tr> <td>OTHER_TAX</td> <td>Other (Taxable)</td> </tr> <tr> <td>OTHER_NONTAX</td> <td>Other (Nontaxable)</td> </tr> </table>	PART_TIME	Part Time	PUBLIC_ASSISTANCE	Public Assistance or Aid for Dependent Children	RENTAL	Rental	RETIREMENT	Retirement	SALARY_WAGES	Salary/Wages	SOCIAL_SECURITY	Social Security Benefits	UNEMPLOYMENT	Unemployment	VA_BENEFITS	VA Benefits or VA Disability	OTHER_TAX	Other (Taxable)	OTHER_NONTAX	Other (Nontaxable)
PART_TIME	Part Time																							
PUBLIC_ASSISTANCE	Public Assistance or Aid for Dependent Children																							
RENTAL	Rental																							
RETIREMENT	Retirement																							
SALARY_WAGES	Salary/Wages																							
SOCIAL_SECURITY	Social Security Benefits																							
UNEMPLOYMENT	Unemployment																							
VA_BENEFITS	VA Benefits or VA Disability																							
OTHER_TAX	Other (Taxable)																							
OTHER_NONTAX	Other (Nontaxable)																							
a_other_inc_amount_2	decimal (19,4)	y		Other Annual Income (2) Amount																				
<i>CoApplicant</i>				<i>Employment Information</i>																				
c_empl_status	varchar 32			EMPLOYED, SELF_EMPL, RETIRED, STUDENT, OTHER																				
c_empl_status_years	int		0	Years in this employment status																				
c_empl_status_months	int		0	Months in this employment status																				
c_empl_nm	varchar 64	y		Employer Name																				
c_empl_position	varchar 64	y		Position / Title																				
c_empl_phone	varchar 32	y		Employer Phone																				
c_empl_city	varchar 176	y		Employer City																				

c_empl_state_province	varchar 2	y		State / Province																		
c_empl_zip	varchar 10	y		Zip / Postal Code (met_zip_lkup)																		
c_empl_gross	decimal (19,4)			Gross Annual Income																		
<i>CoApplicant Previous</i>				<i>Employment Information (if less than two years)</i>																		
cp_empl_status	varchar 32	y		EMPLOYED, SELF_EMPL, RETIRED, STUDENT, OTHER																		
cp_empl_status_years	int	y	0	Years in this employment status																		
cp_empl_status_months	int	y	0	Months in this employment status																		
cp_empl_nm	varchar 64	y		Employer Name																		
cp_empl_position	varchar 64	y		Position / Title																		
<i>Applicant</i>				<i>Additional Income (progressive disclosure)</i>																		
c_other_inc_source_1	varchar 32	y	NONE	<table border="1"> <thead> <tr> <th>Source</th> <th>Description</th> </tr> </thead> <tbody> <tr> <td>ALIMONY</td> <td>Alimony</td> </tr> <tr> <td>CHILD_SUPPORT</td> <td>Child Support</td> </tr> <tr> <td>COMMISSION</td> <td>Commission</td> </tr> <tr> <td>DISABILITY_COMP</td> <td>Disability or Workers Compensation</td> </tr> <tr> <td>HOUSING_ALLOWANCE</td> <td>Housing Allowance</td> </tr> <tr> <td>INHERITANCE</td> <td>Inheritance</td> </tr> <tr> <td>MILITARY_ALLOWANCE</td> <td>Military Basic Allowance for Subsistence (BAS)</td> </tr> <tr> <td>MUNICIPAL_BOND_INT</td> <td>Municipal Bond Interest</td> </tr> </tbody> </table>	Source	Description	ALIMONY	Alimony	CHILD_SUPPORT	Child Support	COMMISSION	Commission	DISABILITY_COMP	Disability or Workers Compensation	HOUSING_ALLOWANCE	Housing Allowance	INHERITANCE	Inheritance	MILITARY_ALLOWANCE	Military Basic Allowance for Subsistence (BAS)	MUNICIPAL_BOND_INT	Municipal Bond Interest
Source	Description																					
ALIMONY	Alimony																					
CHILD_SUPPORT	Child Support																					
COMMISSION	Commission																					
DISABILITY_COMP	Disability or Workers Compensation																					
HOUSING_ALLOWANCE	Housing Allowance																					
INHERITANCE	Inheritance																					
MILITARY_ALLOWANCE	Military Basic Allowance for Subsistence (BAS)																					
MUNICIPAL_BOND_INT	Municipal Bond Interest																					

				<table border="1"> <tr> <td>PUBLIC_ASSISTANCE</td> <td>Public Assistance or Aid for Dependent Children</td> </tr> <tr> <td>RETIREMENT</td> <td>Retirement</td> </tr> <tr> <td>SALARY_WAGES</td> <td>Salary/Wages</td> </tr> <tr> <td>SOCIAL_SECURITY</td> <td>Social Security Benefits</td> </tr> <tr> <td>UNEMPLOYMENT</td> <td>Unemployment</td> </tr> <tr> <td>VA_BENEFITS</td> <td>VA Benefits or VA Disability</td> </tr> <tr> <td>OTHER_TAX</td> <td>Other (Taxable)</td> </tr> <tr> <td>OTHER_NONTAX</td> <td>Other (Nontaxable)</td> </tr> </table>	PUBLIC_ASSISTANCE	Public Assistance or Aid for Dependent Children	RETIREMENT	Retirement	SALARY_WAGES	Salary/Wages	SOCIAL_SECURITY	Social Security Benefits	UNEMPLOYMENT	Unemployment	VA_BENEFITS	VA Benefits or VA Disability	OTHER_TAX	Other (Taxable)	OTHER_NONTAX	Other (Nontaxable)		
PUBLIC_ASSISTANCE	Public Assistance or Aid for Dependent Children																					
RETIREMENT	Retirement																					
SALARY_WAGES	Salary/Wages																					
SOCIAL_SECURITY	Social Security Benefits																					
UNEMPLOYMENT	Unemployment																					
VA_BENEFITS	VA Benefits or VA Disability																					
OTHER_TAX	Other (Taxable)																					
OTHER_NONTAX	Other (Nontaxable)																					
c_other_inc_amount_1	decimal (19,4)	y		Other Annual Income (1) Amount																		
c_other_inc_source_2	varchar 32	y	NONE	<table border="1"> <thead> <tr> <th>Source</th> <th>Description</th> </tr> </thead> <tbody> <tr> <td>ALIMONY</td> <td>Alimony</td> </tr> <tr> <td>CHILD_SUPPORT</td> <td>Child Support</td> </tr> <tr> <td>COMMISSION</td> <td>Commission</td> </tr> <tr> <td>DISABILITY_COMP</td> <td>Disability or Workers Compensation</td> </tr> <tr> <td>HOUSING_ALLOWANCE</td> <td>Housing Allowance</td> </tr> <tr> <td>INHERITANCE</td> <td>Inheritance</td> </tr> <tr> <td>MILITARY_ALLOWANCE</td> <td>Military Basic Allowance for Subsistence (BAS)</td> </tr> <tr> <td>MUNICIPAL_BOND_INT</td> <td>Municipal Bond Interest</td> </tr> </tbody> </table>	Source	Description	ALIMONY	Alimony	CHILD_SUPPORT	Child Support	COMMISSION	Commission	DISABILITY_COMP	Disability or Workers Compensation	HOUSING_ALLOWANCE	Housing Allowance	INHERITANCE	Inheritance	MILITARY_ALLOWANCE	Military Basic Allowance for Subsistence (BAS)	MUNICIPAL_BOND_INT	Municipal Bond Interest
Source	Description																					
ALIMONY	Alimony																					
CHILD_SUPPORT	Child Support																					
COMMISSION	Commission																					
DISABILITY_COMP	Disability or Workers Compensation																					
HOUSING_ALLOWANCE	Housing Allowance																					
INHERITANCE	Inheritance																					
MILITARY_ALLOWANCE	Military Basic Allowance for Subsistence (BAS)																					
MUNICIPAL_BOND_INT	Municipal Bond Interest																					

				PUBLIC_ASSISTANCE	Public Assistance or Aid for Dependent Children
				RETIREMENT	Retirement
				SALARY_WAGES	Salary/Wages
				SOCIAL_SECURITY	Social Security Benefits
				UNEMPLOYMENT	Unemployment
				VA_BENEFITS	VA Benefits or VA Disability
				OTHER_TAX	Other (Taxable)
				OTHER_NONTAX	Other (Nontaxable)
c_other_inc_amount_2	decimal (19,4)	y		Other Annual Income (2) Amount	
				<i>Loan Terms</i>	
loan_amount	decimal (19,4)			Loan Amount Requested	
loan_term_months	int			12, 24, 4872	
				<i>Verification Report</i>	
accept_terms	int		0	Terms and Conditions	

app_activity

Column	Type / Length	Nullable	Default	Description
id	int			Primary Key / Auton

parent_id	int			Foreign Key: parent > ID
created_at	datetime			audit: eloquent ORM
state_stage	varchar 32			Stage Changed to

app_lkup

Column	Type / Length	Nullable	Default	Description
id	int			Primary Key / Auton
column_nm	varchar 64		state_stage	Column Name
lookup_code	varchar 32			Code - Uppercase
lookup_desc	varchar 176	y		Description
lookup_value	int	y		Value

app_attach

Column	Type / Length	Nullable	Default	Description
id	int			Primary Key / Auton
app_id	int			Foreign Key: app > ID
tmpl_id	int			Foreign Key: app_attach_tmpl > ID

sid	varchar 68			4cc Checksum												
created_by	int			account > ID												
created_at	datetime			audit: eloquent ORM												
updated_by	int	y		account > ID or Null												
updated_at	datetime	y		audit: eloquent ORM												
state_type	varchar 32		INSTRUC TION	<table border="1"> <thead> <tr> <th>Type</th> <th>Description</th> </tr> </thead> <tbody> <tr> <td>INSTRUCTION</td> <td>Link to instructions (optional)</td> </tr> <tr> <td>CONFIRMATION</td> <td>Confirmation: Checkbox and link to terms (required)</td> </tr> <tr> <td>PROOF_REQUEST</td> <td>Request for information to be uploaded (required) (for example: insurance policy)</td> </tr> <tr> <td>FILL_OUT_RETURN_DOC</td> <td>Download, Fill Out, Sign, Scan then Upload (required)</td> </tr> <tr> <td>TRACKING_NUMBER</td> <td>Shipper transaction number (required)</td> </tr> </tbody> </table>	Type	Description	INSTRUCTION	Link to instructions (optional)	CONFIRMATION	Confirmation: Checkbox and link to terms (required)	PROOF_REQUEST	Request for information to be uploaded (required) (for example: insurance policy)	FILL_OUT_RETURN_DOC	Download, Fill Out, Sign, Scan then Upload (required)	TRACKING_NUMBER	Shipper transaction number (required)
Type	Description															
INSTRUCTION	Link to instructions (optional)															
CONFIRMATION	Confirmation: Checkbox and link to terms (required)															
PROOF_REQUEST	Request for information to be uploaded (required) (for example: insurance policy)															
FILL_OUT_RETURN_DOC	Download, Fill Out, Sign, Scan then Upload (required)															
TRACKING_NUMBER	Shipper transaction number (required)															
state_stage	varchar 32		NEW	<table border="1"> <thead> <tr> <th>Stage</th> <th>Description</th> </tr> </thead> <tbody> <tr> <td>NEW</td> <td>No User Action</td> </tr> <tr> <td>CONFIRMED</td> <td>Required Confirmation Checkbox Clicked</td> </tr> <tr> <td>UPLOADED</td> <td>Required File Uploaded</td> </tr> </tbody> </table>	Stage	Description	NEW	No User Action	CONFIRMED	Required Confirmation Checkbox Clicked	UPLOADED	Required File Uploaded				
Stage	Description															
NEW	No User Action															
CONFIRMED	Required Confirmation Checkbox Clicked															
UPLOADED	Required File Uploaded															
attachment_nm	varchar 64			Name of the attached file												

attachment_uri	varchar 176			abs path
comment	varchar 176	y		Admin Comment
state_status	varchar 32		ENABLE D	ENABLED, DISABLED or ARCHIVED

app_attach_activity

Column	Type / Length	Nullable	Default	Description
id	int			Primary Key / Auton
parent_id	int			Foreign Key: parent > ID
created_at	datetime			audit: eloquent ORM
updated_at	datetime	y		audit: eloquent ORM (also populated upon INSERT)

state_stage	varchar 32			Stage Changed to
-------------	------------	--	--	------------------

app_attach_lkup

Column	Type / Length	Nullable	Default	Description
id	int			Primary Key / Auton
column_nm	varchar 64		state_stage	Column Name
lookup_code	varchar 32			Code - Uppercase
lookup_desc	varchar 176	y		Description
lookup_value	int	y		Value

app_attach_tmpl

Column	Type / Length	Nullable	Default	Description
id	int			Primary Key / Auton
lender_id	int			Foreign Key: account > ID
created_by	int			Foreign Key: account > ID
created_at	datetime			audit: eloquent ORM

updated_by	int	y		Foreign Key: account > ID or Null												
updated_at	datetime	y		audit: eloquent ORM												
state_type	varchar 32		INSTRUC TION	<table border="1"> <thead> <tr> <th>Type</th> <th>Description</th> </tr> </thead> <tbody> <tr> <td>INSTRUCTION</td> <td>Link to instructions (optional)</td> </tr> <tr> <td>CONFIRMATION</td> <td>Confirmation: Checkbox and link to terms (required)</td> </tr> <tr> <td>PROOF_REQUEST</td> <td>Request for information to be uploaded (required)</td> </tr> <tr> <td>FILL_OUT_RETURN_DOC</td> <td>Download, Fill Out, Sign, Scan then Upload (required)</td> </tr> <tr> <td>TRACKING_NUMBER</td> <td>Shipper transaction number (required)</td> </tr> </tbody> </table>	Type	Description	INSTRUCTION	Link to instructions (optional)	CONFIRMATION	Confirmation: Checkbox and link to terms (required)	PROOF_REQUEST	Request for information to be uploaded (required)	FILL_OUT_RETURN_DOC	Download, Fill Out, Sign, Scan then Upload (required)	TRACKING_NUMBER	Shipper transaction number (required)
Type	Description															
INSTRUCTION	Link to instructions (optional)															
CONFIRMATION	Confirmation: Checkbox and link to terms (required)															
PROOF_REQUEST	Request for information to be uploaded (required)															
FILL_OUT_RETURN_DOC	Download, Fill Out, Sign, Scan then Upload (required)															
TRACKING_NUMBER	Shipper transaction number (required)															
tmpl_states	varchar 224	y		Pipe delimited 2cc State / Province codes												
tmpl_nm	varchar 64			Name of the Template												
attachment_nm	varchar 64			Name of the attached file												
attachment_uri	varchar 176			abs path												
comment	varchar 176	y		Admin Comment												
state_status	varchar 32		ENABLED	ENABLED, DISABLED or ARCHIVED												

context_suggest

Column	Type / Length	Nullable	Default	Description
id	int			Primary Key / Auton
token	varchar 64			Semantic Constant
art_title	varchar 240			Article Caption
art_tagline	varchar 240	y		Article Sub-caption
art_command	varchar 240	y		Client Action
art_image_tn	varchar 96			Thumb Nail File Name
art_views	int	y		Number of time Clicked
art_keywords	longtext	y		SEO comma delim Pipe delim meta desc image 1 image 2 image 3
is_auth	varchar 1	y		Is Signed In
state_stage_profiled	varchar 1	y		Accnt Stage Profiled
state_stage_active	varchar 1	y		Accnt Stage Active
state_type_seller	varchar 1	y		Accnt Type Seller
state_type_buyer	varchar 1	y		Accnt Type Buyer
state_type_buyer_seller	varchar 1	y		Accnt Type Buyer Seller
is_trusted	varchar 1	y		A CYTS Score of 100
tier_1_silver	varchar 1	y		Membership Tier Silver
tier_2_gold	varchar 1	y		Membership Tier Gold

tier_3_platinum	varchar 1	y		Membership Tier Platinum
comment	varchar 176	y		Admin Comment
state_status	varchar 32		ENABLED	ENABLED, DISABLED or ARCHIVED

sale

Column	Type / Length	Nullable	Default	Description						
id	int			Primary Key / Auton						
sid	varchar 68			4cc Checksum						
app_id	int			Foreign Key: app > ID						
offer_id	int			Foreign Key: offer > ID						
vehicle_id	int	y		Foreign Key: Vehicle > ID						
created_by	int			account > ID or Null						
created_at	datetime			audit: eloquent ORM						
updated_by	int	y		account > ID or Null						
updated_at	datetime	y		audit: eloquent ORM						
state_stage	varchar 32		NEW	<table border="1"> <thead> <tr> <th>Stage</th> <th>Description</th> </tr> </thead> <tbody> <tr> <td>NEW</td> <td>Required Fields not Entered</td> </tr> <tr> <td>TEST_DRIVE</td> <td>Buyer was offered opportunity to test drive</td> </tr> </tbody> </table>	Stage	Description	NEW	Required Fields not Entered	TEST_DRIVE	Buyer was offered opportunity to test drive
Stage	Description									
NEW	Required Fields not Entered									
TEST_DRIVE	Buyer was offered opportunity to test drive									

				AWAITING_APP	Awaiting App Approval
				MAILING_TITLE	Sending Title
				TITLE_RECEIVED	Inventoried
				VEHICLE_DELIVERED	Buyer Takes Possession
				PAYMENT_CONFIRMED	Confirm Bank Deposit
				MAILING_DMV	Send DMV Package
				SALES_TAX	Pay Sales Tax
				WITHDRAWN	No Sale
bank_nm	varchar 96			Name of Bank	
bank_account_num	varchar 32			account Number	
bank_routing_num	varchar 32			Routing Number	
comment	varchar 176	y		Admin Comment	
state_status	varchar 32		ENABLED	ENABLED, DISABLED or ARCHIVED	

sale_activity

Column	Type / Length	Nullable	Default	Description
id	int			Primary Key / Auton
parent_id	int			Foreign Key: parent > ID

created_at	datetime			audit: eloquent ORM
updated_at	datetime	y		audit: eloquent ORM (also populated upon INSERT)
updated_at	datetime	y		audit: eloquent ORM (also populated upon INSERT)
state_stage	varchar 32			Stage Changed to

sale_lkup

Column	Type / Length	Nullable	Default	Description
id	int			Primary Key / Auton
column_nm	varchar 64		state_stage	Column Name
lookup_code	varchar 32			Code - Uppercase
lookup_desc	varchar 176	y		Description
lookup_value	int	y		Value

sale_attach

Column	Type / Length	Nullable	Default	Description
id	int			Primary Key / Auton
sid	varchar 68			4cc Checksum
sale_id	int			Foreign Key: app > ID

tmpl_id	int			Foreign Key: sale_attach_tmpl > ID												
created_by	int			account > ID												
created_at	datetime			audit: eloquent ORM												
updated_by	int	y		account > ID or Null												
updated_at	datetime	y		audit: eloquent ORM												
state_type	varchar 32		INSTRUC TION	<table border="1"> <thead> <tr> <th>Type</th> <th>Description</th> </tr> </thead> <tbody> <tr> <td>INSTRUCTION</td> <td>Link to instructions (optional)</td> </tr> <tr> <td>CONFIRMATION</td> <td>Confirmation: Checkbox and link to terms (required)</td> </tr> <tr> <td>PROOF_REQUEST</td> <td>Request for information to be uploaded (required) (for example: insurance policy)</td> </tr> <tr> <td>FILL_OUT_RETURN_DOC</td> <td>Download, Fill Out, Sign, Scan then Upload (required)</td> </tr> <tr> <td>TRACKING_NUMBER</td> <td>Shipper transaction number (required)</td> </tr> </tbody> </table>	Type	Description	INSTRUCTION	Link to instructions (optional)	CONFIRMATION	Confirmation: Checkbox and link to terms (required)	PROOF_REQUEST	Request for information to be uploaded (required) (for example: insurance policy)	FILL_OUT_RETURN_DOC	Download, Fill Out, Sign, Scan then Upload (required)	TRACKING_NUMBER	Shipper transaction number (required)
Type	Description															
INSTRUCTION	Link to instructions (optional)															
CONFIRMATION	Confirmation: Checkbox and link to terms (required)															
PROOF_REQUEST	Request for information to be uploaded (required) (for example: insurance policy)															
FILL_OUT_RETURN_DOC	Download, Fill Out, Sign, Scan then Upload (required)															
TRACKING_NUMBER	Shipper transaction number (required)															
state_stage	varchar 32		NEW	<table border="1"> <thead> <tr> <th>Stage</th> <th>Description</th> </tr> </thead> <tbody> <tr> <td>NEW</td> <td>No User Action</td> </tr> <tr> <td>CONFIRMED</td> <td>Required Confirmation Checkbox Clicked</td> </tr> <tr> <td>UPLOADED</td> <td>Required File Uploaded</td> </tr> </tbody> </table>	Stage	Description	NEW	No User Action	CONFIRMED	Required Confirmation Checkbox Clicked	UPLOADED	Required File Uploaded				
Stage	Description															
NEW	No User Action															
CONFIRMED	Required Confirmation Checkbox Clicked															
UPLOADED	Required File Uploaded															
attachment_nm	varchar 64			Name of the attached file												

attachment_uri	varchar 176			abs path
comment	varchar 176	y		Admin Comment
state_status	varchar 32		ENABLE D	ENABLED, DISABLED or ARCHIVED

sale_attach_activity

Column	Type / Length	Nullable	Default	Description
id	int			Primary Key / Auton
parent_id	int			Foreign Key: parent > ID
created_at	datetime			audit: eloquent ORM
state_stage	varchar 32			Stage Changed to

sale_attach_lookup

Column	Type / Length	Nullable	Default	Description
id	int			Primary Key / Auton
column_nm	varchar 64		state_stage	Column Name
lookup_code	varchar 32			Code - Uppercase
lookup_desc	varchar 176	y		Description
lookup_value	int	y		Value

sale_attach_tmpl

Column	Type / Length	Nullable	Default	Description												
id	int			Primary Key / Auton												
created_by	int			Foreign Key: account > ID												
created_at	datetime			audit: eloquent ORM												
updated_by	int	y		Foreign Key: account > ID or Null												
updated_at	datetime	y		audit: eloquent ORM												
state_type	varchar 32		INSTRUC TION	<table border="1"> <thead> <tr> <th>Type</th> <th>Description</th> </tr> </thead> <tbody> <tr> <td>INSTRUCTION</td> <td>Link to instructions (optional)</td> </tr> <tr> <td>CONFIRMATION</td> <td>Confirmation: Checkbox and link to terms (required)</td> </tr> <tr> <td>PROOF_REQUEST</td> <td>Request for information to be uploaded (required)</td> </tr> <tr> <td>FILL_OUT_RETURN_DOC</td> <td>Download, Fill Out, Sign, Scan then Upload (required)</td> </tr> <tr> <td>TRACKING_NUMBER</td> <td>Shipper transaction number (required)</td> </tr> </tbody> </table>	Type	Description	INSTRUCTION	Link to instructions (optional)	CONFIRMATION	Confirmation: Checkbox and link to terms (required)	PROOF_REQUEST	Request for information to be uploaded (required)	FILL_OUT_RETURN_DOC	Download, Fill Out, Sign, Scan then Upload (required)	TRACKING_NUMBER	Shipper transaction number (required)
Type	Description															
INSTRUCTION	Link to instructions (optional)															
CONFIRMATION	Confirmation: Checkbox and link to terms (required)															
PROOF_REQUEST	Request for information to be uploaded (required)															
FILL_OUT_RETURN_DOC	Download, Fill Out, Sign, Scan then Upload (required)															
TRACKING_NUMBER	Shipper transaction number (required)															
tmpl_states	varchar 224	y		Pipe delimited 2cc State / Province codes												
tmpl_nm	varchar 64			Name of the Template												
attachment_nm	varchar 64			Name of the attached file												
attachment_uri	varchar 176			abs path												

comment	varchar 176	y		Admin Comment
state_status	varchar 32		ENABLED	ENABLED, DISABLED or ARCHIVED

vehicle

Column	Type / Length	Nullable	Default	Description						
id	int			Primary Key / Auton						
sid	varchar 68			4cc Checksum						
seller_id	int	y		Foreign Key: account > ID						
created_id	int			account > ID						
created_at	datetime			audit: eloquent ORM						
updated_by	int	y		account > ID or Null						
updated_at	datetime	y		audit: eloquent ORM						
state_stage	varchar 32		NEW	<table border="1"> <thead> <tr> <th>Type</th> <th>Description</th> </tr> </thead> <tbody> <tr> <td>NEW</td> <td>Created (Make / Model / Year [Seller Email]) Stub</td> </tr> <tr> <td>VALIDATED</td> <td>Make / Model / Year / VIN / Mileage / Title (Title, VIN and</td> </tr> </tbody> </table>	Type	Description	NEW	Created (Make / Model / Year [Seller Email]) Stub	VALIDATED	Make / Model / Year / VIN / Mileage / Title (Title, VIN and
Type	Description									
NEW	Created (Make / Model / Year [Seller Email]) Stub									
VALIDATED	Make / Model / Year / VIN / Mileage / Title (Title, VIN and									

				<table border="1"> <tr> <td></td> <td>Odometer) image assets</td> </tr> <tr> <td>COMMITTED</td> <td>Price is agreed (see offer transaction for amount)</td> </tr> <tr> <td>SOLD</td> <td>Sold via CarsYours.com</td> </tr> <tr> <td>RECEIVED</td> <td>Buyer has possession</td> </tr> <tr> <td>DISPUTED</td> <td>Buyer is disputing the condition of vehicle</td> </tr> <tr> <td>OBSOLETE</td> <td>No longer for sale</td> </tr> </table>		Odometer) image assets	COMMITTED	Price is agreed (see offer transaction for amount)	SOLD	Sold via CarsYours.com	RECEIVED	Buyer has possession	DISPUTED	Buyer is disputing the condition of vehicle	OBSOLETE	No longer for sale
	Odometer) image assets															
COMMITTED	Price is agreed (see offer transaction for amount)															
SOLD	Sold via CarsYours.com															
RECEIVED	Buyer has possession															
DISPUTED	Buyer is disputing the condition of vehicle															
OBSOLETE	No longer for sale															
make	varchar 32			Make : Buyer Stub												
model	varchar 32			Model : Buyer Stub												
year	varchar 4			Year of Manufacture : Buyer Stub												
seller_email_temp	varchar 96	y		Email Address : Buyer Stub												
vin	varchar 17			Vehicle Identification Number (cannot be unique because the same vehicle can be resold)												
mileage	int			Odometer value in miles												
license_plate	varchar 32	y		License Plate Number												
county_registered	varchar 64	y		County of Registration												
color_exterior	varchar 16			<table border="1"> <thead> <tr> <th>Type</th> <th>Description</th> </tr> </thead> <tbody> <tr> <td>F5F5DC</td> <td>Beige</td> </tr> <tr> <td>000000</td> <td>Black</td> </tr> </tbody> </table>	Type	Description	F5F5DC	Beige	000000	Black						
Type	Description															
F5F5DC	Beige															
000000	Black															

				0000FF	Blue
				8B4513	Brown
				B03060	Burgundy
				696969	Charcoal
				FFD700	Gold
				8F8F8F	Gray
				00CD00	Green
				F5F5F5	Off White
				FF8C00	Orange
				EEA9B8	Pink
				9B30FF	Purple
				CD0000	Red
				BDBDBD	Silver
				D2B48C	Tan
				00C5CD	Turquoise
				FFFFFF	White
				CDCD00	Yellow
color_interior	varchar 16			see exterior values	
spec_num_doors	int			Number of Doors	

spec_trans	int	y	0	Transmission 0=auto, 1=manual
spec_num_cylinders	int	y	4	Engine Number of Cylinders (3-12), 13=Electric, 14= Hybrid 15= Rotary
initial_price	decimal (19,4)	y		Initial Asking Price
negotiable_ind	varchar 1		1	1=Open to Negotiation on the Price 2=The Price is firm
public_at	datetime	y	null	Date Posted - Expose to any interested buyer When Posted an Ad is placed in the Shopping Cart.
num_views	int	y	0	Number of times this vehicle was viewed
cert_badge_1	varchar 1	y	0	This vehicle is certified
caption	varchar 240	y		Owner Description
state_status	varchar 32		ENABLED	ENABLED, DISABLED or ARCHIVED

vehicle_activity

Column	Type / Length	Nullable	Default	Description
id	int			Primary Key / Auton
parent_id	int			Foreign Key: parent > ID
created_at	datetime			audit: eloquent ORM
updated_at	datetime	y		audit: eloquent ORM (also populated upon INSERT)
state_stage	varchar 32			Stage Changed to

vehicle_lkup

Column	Type / Length	Nullable	Default	Description
id	int			Primary Key / Auton
column_nm	varchar 64		state_stage	Column Name
lookup_code	varchar 32			Code - Uppercase
lookup_desc	varchar 176	y		Description
lookup_value	int	y		Value

vehicle_attach

Column	Type / Length	Nullable	Default	Description
id	int			Primary Key / Auton
sid	varchar 68			4cc Checksum
vehicle_id	int			Foreign Key: vehicle > ID
created_by	int			account > ID
created_at	datetime			audit: eloquent ORM
updated_by	int	y		account > ID or Null

updated_at	datetime	y		audit: eloquent ORM																																				
state_type	varchar 32		PHOTO	<table border="1"> <thead> <tr> <th>Type</th> <th>Description</th> </tr> </thead> <tbody> <tr> <td>REQ_VIN</td> <td>Image of VIN</td> </tr> <tr> <td>REQ_TITLE_PRIVATE</td> <td>Image of Title</td> </tr> <tr> <td>REQ_ODOMETER</td> <td>Image of Odometer</td> </tr> <tr> <td>CERT</td> <td>Image of Certification</td> </tr> <tr> <td>PHOTO</td> <td>Photo of vehicle</td> </tr> <tr> <td>PHOTO_ENGINE</td> <td>Photo of Engine</td> </tr> <tr> <td>PHOTO_IN_DASH</td> <td>Photo of Interior Dashboard</td> </tr> <tr> <td>PHOTO_IN_DOOR</td> <td>Photo of Interior Door</td> </tr> <tr> <td>PHOTO_IN_STEERING</td> <td>Photo of Interior Steering Wheel</td> </tr> <tr> <td>PHOTO_IN_SEAT</td> <td>Photo of Interior Seating</td> </tr> <tr> <td>PHOTO_IN_TRUNK</td> <td>Photo of Interior Trunk</td> </tr> <tr> <td>PHOTO_EX_FRONT</td> <td>Photo Exterior Front</td> </tr> <tr> <td>PHOTO_EX_FRONT_RT</td> <td>Photo Exterior Front Right</td> </tr> <tr> <td>PHOTO_EX_FRONT_LF</td> <td>Photo Exterior Front Left</td> </tr> <tr> <td>PHOTO_EX_TIRE</td> <td>Photo Exterior Tire</td> </tr> <tr> <td>PHOTO_EX_SIDE</td> <td>Photo Exterior Side</td> </tr> <tr> <td>PHOTO_EX_REAR</td> <td>Photo Exterior Rear</td> </tr> </tbody> </table>	Type	Description	REQ_VIN	Image of VIN	REQ_TITLE_PRIVATE	Image of Title	REQ_ODOMETER	Image of Odometer	CERT	Image of Certification	PHOTO	Photo of vehicle	PHOTO_ENGINE	Photo of Engine	PHOTO_IN_DASH	Photo of Interior Dashboard	PHOTO_IN_DOOR	Photo of Interior Door	PHOTO_IN_STEERING	Photo of Interior Steering Wheel	PHOTO_IN_SEAT	Photo of Interior Seating	PHOTO_IN_TRUNK	Photo of Interior Trunk	PHOTO_EX_FRONT	Photo Exterior Front	PHOTO_EX_FRONT_RT	Photo Exterior Front Right	PHOTO_EX_FRONT_LF	Photo Exterior Front Left	PHOTO_EX_TIRE	Photo Exterior Tire	PHOTO_EX_SIDE	Photo Exterior Side	PHOTO_EX_REAR	Photo Exterior Rear
Type	Description																																							
REQ_VIN	Image of VIN																																							
REQ_TITLE_PRIVATE	Image of Title																																							
REQ_ODOMETER	Image of Odometer																																							
CERT	Image of Certification																																							
PHOTO	Photo of vehicle																																							
PHOTO_ENGINE	Photo of Engine																																							
PHOTO_IN_DASH	Photo of Interior Dashboard																																							
PHOTO_IN_DOOR	Photo of Interior Door																																							
PHOTO_IN_STEERING	Photo of Interior Steering Wheel																																							
PHOTO_IN_SEAT	Photo of Interior Seating																																							
PHOTO_IN_TRUNK	Photo of Interior Trunk																																							
PHOTO_EX_FRONT	Photo Exterior Front																																							
PHOTO_EX_FRONT_RT	Photo Exterior Front Right																																							
PHOTO_EX_FRONT_LF	Photo Exterior Front Left																																							
PHOTO_EX_TIRE	Photo Exterior Tire																																							
PHOTO_EX_SIDE	Photo Exterior Side																																							
PHOTO_EX_REAR	Photo Exterior Rear																																							

				PHOTO_EX_REAR_RT	Photo Exterior Rear Right
				PHOTO_EX_REAR_LF	Photo Exterior Rear Left
				PHOTO_KEY	Photo of Key
				PDF	Document
				URL	Link
				VIDEO	Video of Vehicle
				WARRANTY	Image of Warranty
default_ind	varchar 1	y	0	Default Display Image	
comment	varchar 176	y		Seller Comment	
state_status	varchar 32		ENABLE D	ENABLED, DISABLED or ARCHIVED	

vehicle_attach_activity

Column	Type / Length	Nullable	Default	Description
id	int			Primary Key / Auton
parent_id	int			Foreign Key: parent > ID
created_at	datetime			audit: eloquent ORM
updated_at	datetime	y		audit: eloquent ORM (also populated upon INSERT)
state_stage	varchar 32			Stage Changed to

vehicle_attach_lkup

Column	Type / Length	Nullable	Default	Description
id	int			Primary Key / Auton
column_nm	varchar 64		state_type	Column Name
lookup_code	varchar 32			Code - Uppercase
lookup_desc	varchar 176	y		Description
lookup_value	int	y		Value

vehicle_offer

Column	Type / Length	Nullable	Default	Description
id	int			Primary Key / Auton
vehicle_id	int			Foreign Key: Vehicle> ID
buyer_id	int			Foreign Key: account > ID
created_by	int	y		account > ID or Null
created_at	datetime			audit: eloquent ORM
updated_by	int	y		account > ID or Null

updated_at	datetime	y		audit: eloquent ORM										
state_type	varchar 32		INTEREST	<table border="1"> <thead> <tr> <th>Type</th> <th>Description</th> </tr> </thead> <tbody> <tr> <td>INTEREST</td> <td>Initially Binds Buyer to Vehicle (My Cars) - No Amount</td> </tr> <tr> <td>FROM_SELLER</td> <td>Offer from Seller to one Buyer for one Vehicle</td> </tr> <tr> <td>FROM_BUYER</td> <td>Offer from Buyer to Seller for one Vehicle</td> </tr> <tr> <td>NOT_INTERESTED</td> <td>Removes Vehicle from My Cars tab</td> </tr> </tbody> </table>	Type	Description	INTEREST	Initially Binds Buyer to Vehicle (My Cars) - No Amount	FROM_SELLER	Offer from Seller to one Buyer for one Vehicle	FROM_BUYER	Offer from Buyer to Seller for one Vehicle	NOT_INTERESTED	Removes Vehicle from My Cars tab
				Type	Description									
				INTEREST	Initially Binds Buyer to Vehicle (My Cars) - No Amount									
				FROM_SELLER	Offer from Seller to one Buyer for one Vehicle									
				FROM_BUYER	Offer from Buyer to Seller for one Vehicle									
NOT_INTERESTED	Removes Vehicle from My Cars tab													
offer_amount	decimal (19,4)	y	0	Proposed Price										
double_blind_offer_ind	varchar 1		0	Display Offer Amount										
dbo_amount	decimal (19,4)			Double Blind Bid Suggested / Derived Amount										
offer_msg	varchar 176			Offer Message										
offer_committed_ind	varchar 1		0	Price Agreed										
state_status	varchar 32		ENABLED	ENABLED, DISABLED or ARCHIVED										

vehicle_offer_lkup

Column	Type / Length	Nullable	Default	Description
id	int			Primary Key / Auton
column_nm	varchar 64		state_stag e	Column Name

lookup_code	varchar 32			Code - Uppercase
lookup_desc	varchar 176	y		Description
lookup_value	int	y		Value

vehicle_trim_rel

Column	Type / Length	Nullable	Default	Description
id	int			Primary Key / Auton
vehicle_id	int			Foreign Key: vehicle > ID
met_trim_lkup_id	int			Foreign Key: met_trim_lkup > ID
trim_nm	varchar 32			Trim
trim_desc	varchar 176			Description
state_status	varchar 32		ENABLED	ENABLED, DISABLED or ARCHIVED

notification

Column	Type / Length	Nullable	Default	Description
id	int			Primary Key / Auton
to_id	int			Foreign Key: account > ID
from_id	int	y	1	Foreign Key: account > ID or Null
vehicle_id	int	y		Foreign Key: vehicle > ID or Null

created_at	datetime			audit: eloquent ORM
state_type	varchar 32			See metadata
notification_caption	varchar 32	y		Alert Caption
notification_msg	varchar 176			Notification Message
notification_action	varchar 176			URI or Route
display_class	varchar 32	y	standard	standard success alert secondary
passive_ind	int	y		Display passively within UI
active_ind	int	y	1	Display as integrated dialog within UI
email_ind	int	y		Send as an email message
sms_ind	int	y		Send as a text message
broadcast_at	datetime	y		Time sent or alert closed if applicable
state_status	varchar 32		ENABLED	ENABLED, DISABLED or ARCHIVED

notification_lkup

Column	Type / Length	Nullable	Default	Description
id	int			Primary Key / Auton
column_nm	varchar 64		state_stage	Column Name
lookup_code	varchar 32			Code - Uppercase
lookup_desc	varchar 176	y		Description
lookup_value	int	y		Value

met_make_lkup

Column	Type / Length	Nullable	Default	Description
id	int			Primary Key / Auton
make_nm	varchar 32			Make Unique
make_logo	varchar 176		make_0.png	Transparent png h:96 w:96

met_model_lkup

Column	Type / Length	Nullable	Default	Description
id	int			Primary Key / Auton
make_id	int			Foreign Key: met_make_lkup > ID
model_nm	varchar 64			Model

met_trim_lkup

Column	Type / Length	Nullable	Default	Description
id	int			Primary Key / Auton
trim_nm	varchar 32			Trim
trim_tags	varchar 176			Pipe delimited context words

met_st_lkup

Column	Type / Length	Nullable	Default	Description
id	int			Primary Key / Auton
country_nm	varchar 32			Country Name
state_province	varchar 5			State / Province
state_nm	varchar 32			State Name

met_zip_lkup

Column	Type / Length	Nullable	Default	Description
id	int			Primary Key / Auton
zipcode	varchar 10			Zip / Postal
primary	int		0	Primary Zip / Postal
city	varchar 32			City
state_province	varchar 2			State / Province
county_num	varchar 3			County Number
county_nm	varchar 32			County Name

met_config

Column	Type / Length	Nullable	Default	Description
id	int			Primary Key / Auton
start_at	datetime			Time that configuration begins
end_at	datetime		1 jan 2099	Time that configuration ends
config_nm	varchar 48			Unique (Add pipe delim white_label_id (lender account > id or null)) to customize
config_desc	varchar 96			Description
config_value	blob	y		Value - large (conditionally required)
config_value_num	int	y		Value - numeric (conditionally required)
state_status	varchar 32		ENABLED	ENABLED, DISABLED or ARCHIVED

met_error

Column	Type / Length	Nullable	Default	Description
id	int			Primary Key / Auton
created_at	datetime			audit: eloquent ORM
error_num	varchar 48			Unique - Upper Case - May reference requirement number
error_msg	varchar 96			Description
error_lang	varchar 2		en	Language - English
state_status	varchar 32		ERROR	TRACE, DEBUG, INFO, WARN, ERROR, FATAL

sys_log

Column	Type / Length	Nullable	Default	Description
id	int			Primary Key / Auton
created_at	datetime			audit: eloquent ORM
log_num	varchar 48	y		Unique - Upper Case - May reference requirement number
log_msg	varchar 96	y		Description
state_status	varchar 32		ERROR	TRACE, DEBUG, INFO, WARN, ERROR, FATAL

Database Views

v_popular_widget

```
SELECT `vehicle`.*
```

```
FROM (  
  `vehicle`  
  JOIN `account` ON (  
    `vehicle`.`seller_id` = `account`.`id`  
  )  
)  
WHERE (  
  (  
    `vehicle`.`state_status` = 'ENABLED'  
  )  
  AND (  
    `account`.`state_status` = 'ENABLED'  
  )  
  AND (  
    `vehicle`.`public_at` IS NOT NULL  
  )  
  AND (  
    `vehicle`.`state_stage` = 'VALIDATED'  
  )  
)  
ORDER BY `account`.`member_tier` DESC, `vehicle`.`num_views`
```